



X-320™ Quick Start Guide

Basic Setup Steps:

- (1) Connect unit to power and network.
- (2) Set up a computer on the same network as the input module. To do this, set the IP address of the computer to 192.168.1.50 with a netmask of 255.255.255.0.
- (3) Configure the X-320 using web browser. Do this by pointing browser to <http://192.168.1.2/setup.html>. Username is **admin** and password is **webrelay** (all lower case).
- (4) Set the permanent IP address in the configuration page. Restart the X-320 (remove power, re-apply power). After restarting the X-320, set the computer back to its original settings and access the X-320 at its new IP address.

Factory Default Settings

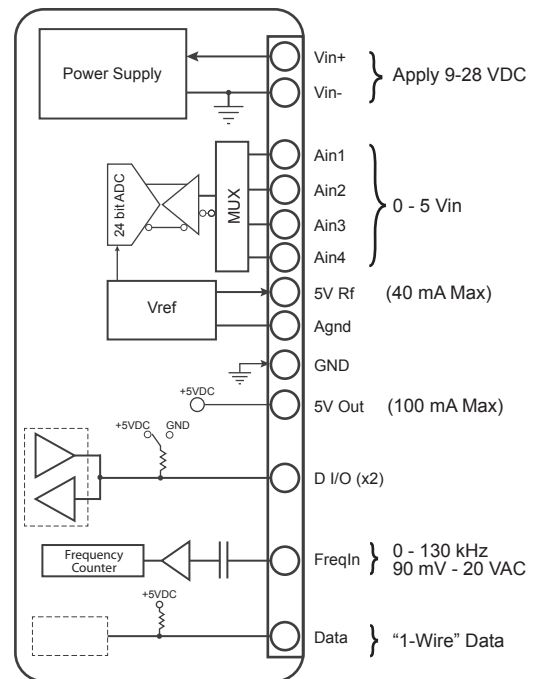
IP Address: 192.168.1.2
 Subnet Mask: 255.255.255.0
 Control Web Address: <http://192.168.1.2>
 Setup Web Address: <http://192.168.1.2/setup.html>
 Setup Username: admin
 Setup Password: webrelay (all lower case)
 Control Password: no password set

Full Users Manual may be downloaded from
<http://www.ControlByWeb.com>

For technical support, email questions to
support@ControlByWeb.com



Pinout



a division of...
Xytronix Research & Design, Inc.
 North Logan, Utah, USA