

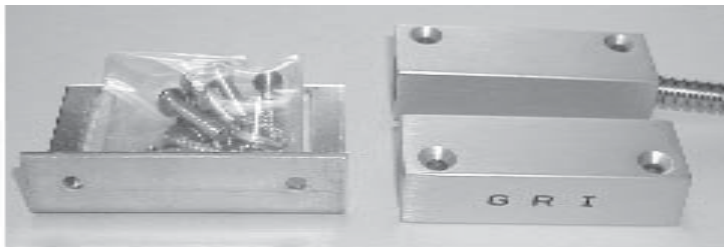
ALUMINUM INDUSTRIAL WIDE GAP SWITCH SET



4400 SERIES



- ◆ Ideal For Securing Chain Link Gates, Overhead Garage Doors, Safes & Walk-In Freezer Doors (Note: Can operate within range of 257°F to -40°F)
- ◆ Spacer is PN 5226
- ◆ Weather Resistant Rugged Aluminum Housing
- ◆ 36" 2 Conductor Vinyl Jacketed Cable 4400
- ◆ 36" Armored Cable 4400-A
- ◆ Mounting Hardware Included
- ◆ A Variety of Optional Mounting Brackets Available
- ◆ Built-in E.O.L. Resistors and Diodes Upon Request
- ◆ Supervisory Loops Available Upon Request
- ◆ Switches and Magnets Available Separately
- ◆ Lifetime Warranty



4400-A



**8450-3 Gate Mounting Kit
Includes 4402-A Switch Set,
Brackets and Hardware**

PART NUMBERS:

	Closed Loop	SPDT	DPDT
Standard Gap	4400	4402	
2 1/2" +	4400-A	4402-A	4405-A

**Other
Mounting Kits
Available.
Call Factory
for Information.**

GEORGERISK INDUSTRIES, INC.
GRI PLAZA
KIMBALL, NE 69145



MADE IN U.S.A.

TOLL-FREE 1-800-445-5218
TOLL-FREE 1-800-523-1227
(308) 235-4645
FAX (308) 235-3561
E-MAIL: grisales@megavision.com
WEB SITE: www.grisk.com

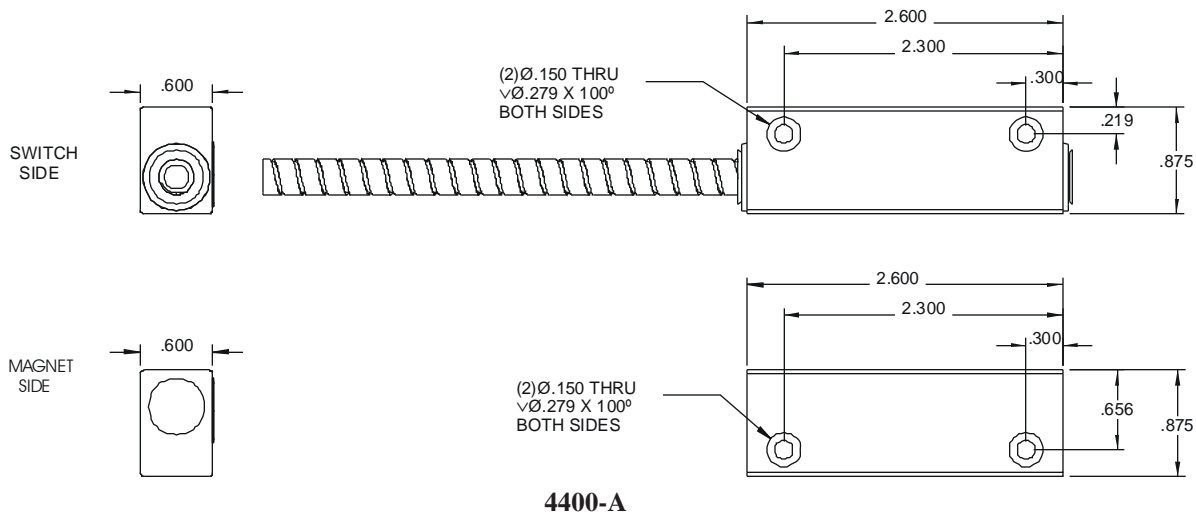


ALUMINUM INDUSTRIAL WIDE GAP SWITCH SET

INSTALLATION APPLICATIONS:

G.R.I.'s 4400 switch series is a heavy duty surface mounted industrial grade contact. A weather resistant rugged aluminum housing and a variety of optional mounting brackets make it ideal for securing chain link gates, overhead garage doors, safes or walk-in freezer doors.

A standard 3 foot length of stainless steel cable is offered as is a vinyl jacketed CL-2 type cable. Custom cable lengths of either type are available by special request. A case spacer PN #5226 can also be ordered as a separate mounting accessory. Switch sets include all other mounting hardware. A mounting kit PN #8297 is also available for garage door track mounting. The kit includes a 4402-A switch set, brackets and mounting hardware.



GRI products meet or exceed these minimum general specifications:

PART NUMBER	LOOP TYPE	ELECTRICAL CONFIG.	REED FORM	MAXIMUM INITIAL CONTACT RESISTANCE (Ω)	MAXIMUM CONTACT RATING (W)	MAXIMUM SWITCHING VOLTAGE (VDC)	MAXIMUM SWITCHING CURRENT (A)
4400	Closed	N/O	A	.150	10	200	.500
4400-A	Closed	N/O	A	.150	10	200	.500
4402	Open/Closed	SPDT	C	.140	5	175VDC	.250
4402-A	Open/Closed	SPDT	C	.140	5	175VDC	.250
4405-A	Open/Closed	DPDT	CX2	.140	5	175VDC	.250

WARRANTY:

Lifetime warranty against workmanship, material and factory defects.

CONTACT YOUR G.R.I. DISTRIBUTOR OR CALL:

GEORGE RISK INDUSTRIES, INC.
G.R.I. PLAZA
KIMBALL, NE 69145



MADE IN U.S.A.

TOLL-FREE 1-800-445-5218

TOLL-FREE 1-800-523-1227

(308) 235-4645

FAX (308) 235-3561

E-MAIL: grisales@megavision.com

WEB SITE: www.grisk.com