

Non-Incendive Short Range Ultrasonic Level Sensor Series: IRU-5000

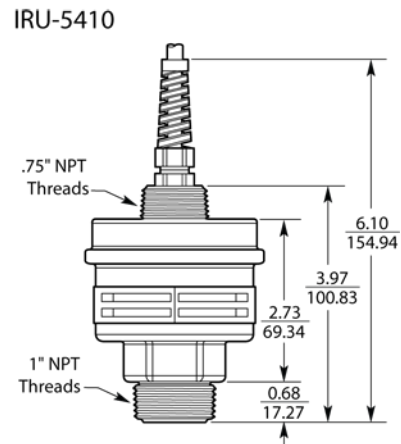
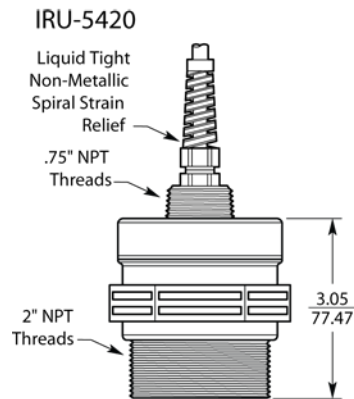


The IRU-5000 series provides a non-contact method of detecting level, presence/absence detection, volume, proximity and distance. With built in technology to compensate for unpredictable variables such as humidity, temperature, and agitators, the IRU-5000 is built to excel in short range applications.

Features

- AutoSense Software for hassle-free setup
 - Internal Temperature Compensation
 - Works on solids and liquids
 - Range up to 79 inches (6 ft., 7 in.)
 - Class I Division 2 Non-incendive for 4-20 mA output
-

IRU-5000 Specifications



Performance

- Operating Range
4 - 79 in. (102 - 2007 mm)
- Beam Pattern: 9° off axis
- Internal Temperature Compensation
- Frequency: 143 kHz
- Accuracy: ±0.25% of detected range
- Resolution: 0.1 in. (2.5 mm)
- Response Time: Programmable (20 ms minimum)

Connectivity

Output:

- 4-20 mA
- 4-20 mA with (2) NPN outputs
- 0-2.5 V/0-5 V

Environmental

- Ratings: IP65
- Operating Temp: -40° - 140°F (-40° - 60°C)

Certification

- Class 1, Div. 2, Groups C, D, T6; Ex nA IIB T6*
 - Class 1, Zone 2, Aex nA IIB, T6*
 - IP65
- (*Models IRU-5413, -5415, -5423 & -5425 only)

Electrical

- Total Current Draw: 75 mA @ 24 VDC
- Supply Voltage: 12-28 VDC
- Wiring Connection: 4 or 5 conductor shielded cable

Programming

- Interface with RST-3002 Programmer
(purchase separately - powered by USB)
- *The RST-3002 is 32 and 64 bit compatible*
- User selected units of measure

Physical

- PC/PET upper housing
- PC/PET Blend Transducer

Common Model Configurations

Model Number	Model Description
IRU-5413-C20-B81	4 - 79 in. range, 143 kHz, 1" MNPT, 4-20 mA Output, 20 ft cable
IRU-5415-C20-B81	4 - 79 in. range, 143 kHz, 1" MNPT, 4-20 mA / 2 NPN Outputs, 20 ft cable
IRU-5419-C20-B81	4 - 79 in. range, 143 kHz, 1" MNPT, 0-2.5 V/0-5 V, 20 ft cable
IRU-5423-C20-B81	4 - 79 in. range, 143 kHz, 2" MNPT, 4-20 mA Output, 20 ft cable
IRU-5425-C20-B81	4 - 79 in. range, 143 kHz, 2" MNPT, 4-20 mA / 2 NPN Outputs, 20 ft cable

IRU-5000 Accessories

Please order separately, by part number.

Description	Part Number
Programming Module	
RST-3002 (USB - 32 and 64 bit compatible)	RST-3002
Display	
LPD Loop Power Display (4-20mA Input)	LPD-000001-C6-0-0-B81

