

## Basic Setup Steps

---

1. Power the module and connect to network.
2. Set IP address on computer to be on the same network as the module. (Example: Set computer to 192.168.1.50)
3. To configure the module, open a web browser and enter:  
`http://192.168.1.2/setup.html`
4. Assign permanent IP address to module, then restart module.
5. Restore computer's IP address, if necessary, and access the module at its new IP address to finish setup.

## Factory Default Settings

---

**IP Address:** 192.168.1.2

**Subnet Mask:** 255.255.255.0

**Control Page Web Address:** `http://192.168.1.2`

**Control Password:** *(no password set)*

**Setup Page Web Address:** `http://192.168.1.2/setup.html`

**Setup Username:** admin

**Setup Password:** webrelay *(all lower case)*

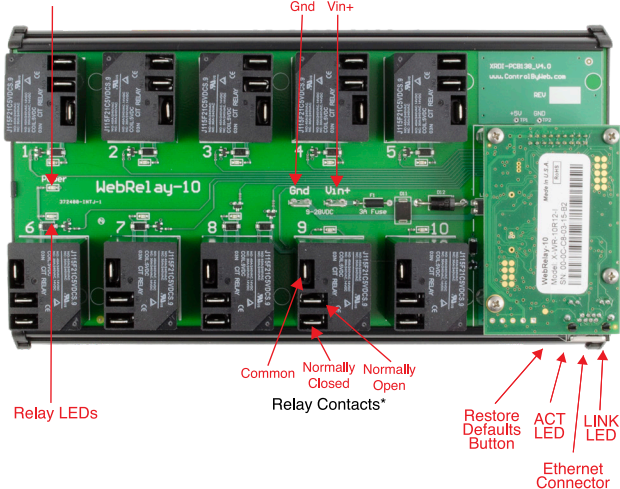
See users manual for setup instructions:  
[www.ControlByWeb.com/support/](http://www.ControlByWeb.com/support/)

# WebRelay-10 | Pinout Diagram

Power Supply Input\*  
9-28VDC

Gnd Vin+

Power LED



Relay LEDs

Common  
Normally  
Closed  
Normally  
Open  
Relay Contacts\*

Restore  
Defaults  
Button

ACT  
LED  
LINK  
LED

Ethernet  
Connector

CONTROL by  
**WEB**™  
www.ControlByWeb.com

\*Power and relay connections require  
1/4" push-on tab terminal connectors