

IT'S LIKE HAVING A 30,000 MILE EXTENSION CORD

**WEBRelay™**

WEB-CONTROLLED RELAY



**INSTANT WEB CONTROL**



If you need a simple solution to monitor and control devices over a network, with rock solid performance, THIS IS IT!

WebRelay™ is an electro-mechanical relay with a built in web server. It can be controlled via the Internet or a local intranet.

With WebRelay™ you can control anything from lights in a home, to pumps and motors in a factory (and everything in between). WebRelay™ has an optically isolated input that can be used to monitor the state of devices, control the local relay, or control a remote relay somewhere else on the network. This feature is useful to extend the output of a PLC to another building or to allow a switch to control a device in another state.

**Features:**

*No programming required*

*Control using a standard web browser, text-based XML page, or Modbus/TCP*

*Use two WebRelay™ devices for control without a computer*

*Web browser based configuration, automatically builds a control web page*

*Password protected*

*12Amp, 125V relay contacts*

*Optically-isolated input*

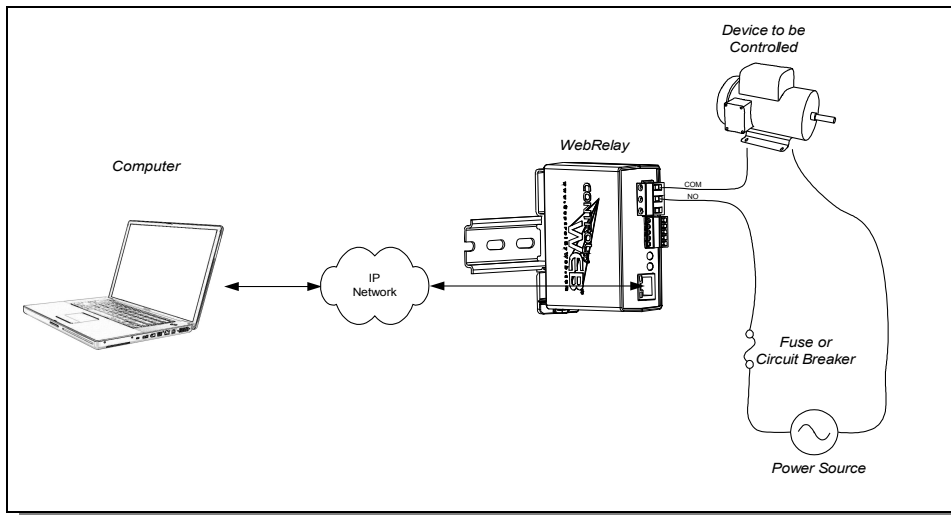
*Small package, completely self contained*

*Removable terminal connectors for simple wiring (included)*

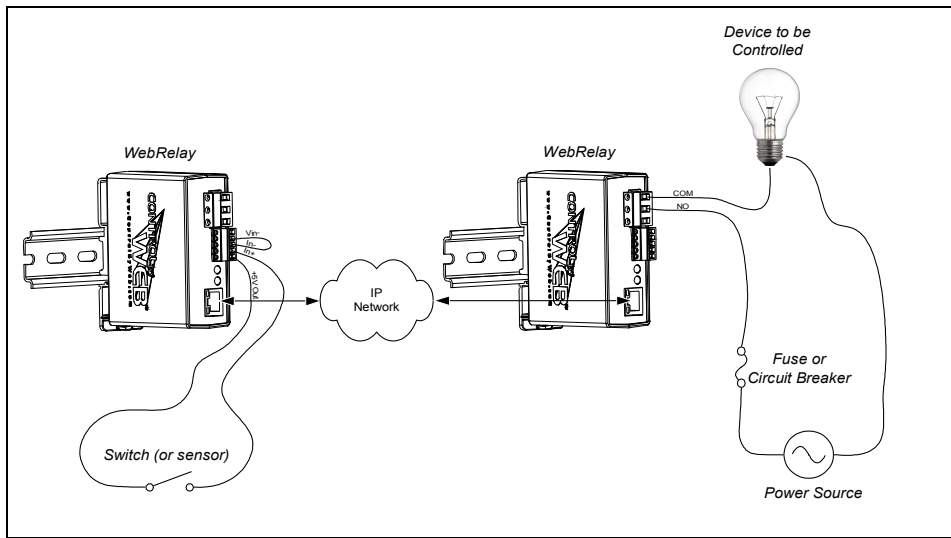
*Optional Power Over Ethernet (802.3af) models available. Eliminates the need for a local power supply*



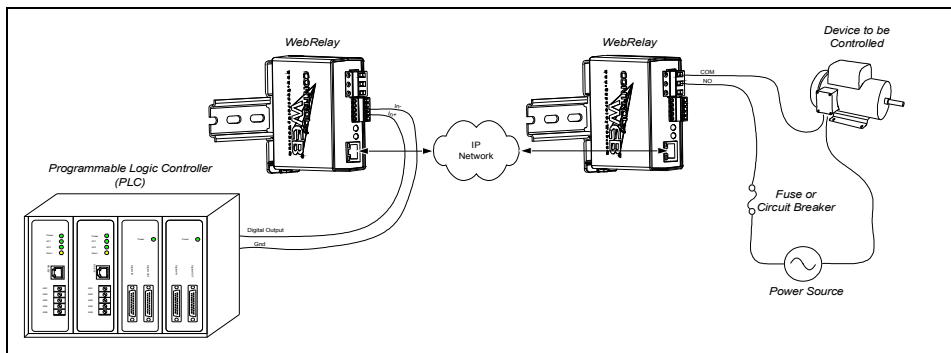
[www.ControlByWeb.com](http://www.ControlByWeb.com)



Single WebRelay™ unit. The Web browser controls the motor on the right.



Dual WebRelay™ units. The switch on the left controls the lamp on the right.



Dual WebRelay™ units. The PLC on the left controls the motor on the right.