

X317™ Quick Start Guide

Web-Enabled Analog Output Module

Basic Setup Steps:

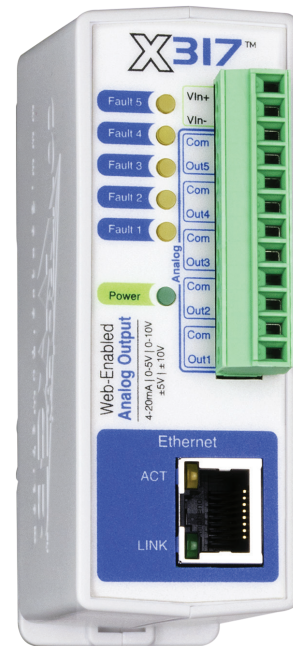
1. Connect unit to power and network.
2. Set up a computer on the same network as the input module. To do this, set the IP address of the computer to 192.168.1.50 with a netmask of 255.255.255.0.
3. Configure the X-317 module using a web browser - In a web browser's address bar, type <http://192.168.1.2/setup.html>. Type the default username is **admin** and password is **webrelay** (all lower case).
4. Set the permanent IP address in the Network tab and press Submit. Restart the X-317 (remove power, then re-apply power).
5. After restarting the unit, set the computer back to its original settings and access the Analog module at its new IP address.

Factory Default Settings

IP Address: 192.168.1.2
Subnet Mask: 255.255.255.0
Control Web Address: <http://192.168.1.2>
Setup Web Address: <http://192.168.1.2/setup.html>
Setup Username: admin
Setup Password: webrelay (all lower case)
Control Password: no password set

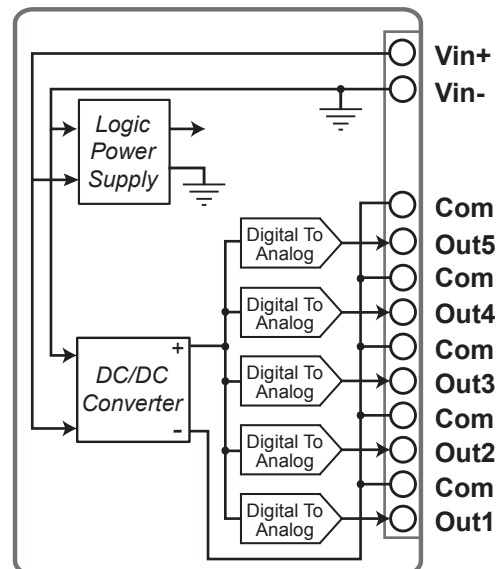
Full Users Manual may be downloaded from <http://www.ControlByWeb.com>

For technical support, email questions to support@ControlByWeb.com



Pinout

Vin+ : Power Supply Input (+)
Vin- : Power Supply Input (-)
Com 1-5 : Analog Common (Isolated from Vin-)
Out 1-5 : 0-5V, ± 5V, 0-10V, ± 10V, 4-20mA Output



Note: The X-317 Module can be configured to operate at 10Mbps or 100Mbps. For best power savings and long term performance the 10Mbps setting is recommended.

CONTROL by **WEB**™
www.ControlByWeb.com

a division of...
Xytronix Research & Design, Inc.
Nibley, Utah, USA